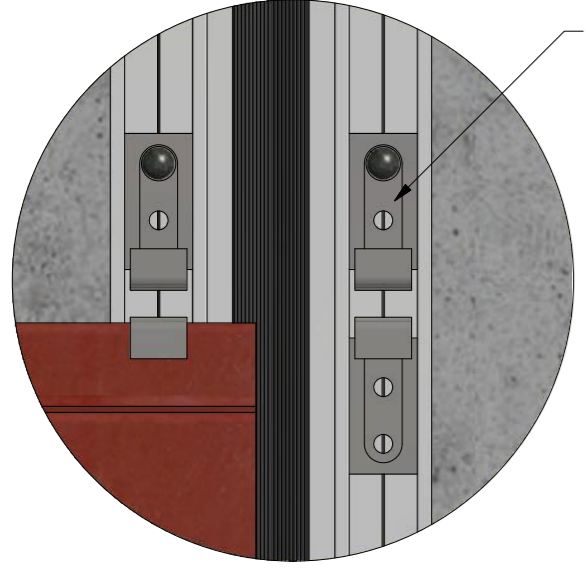
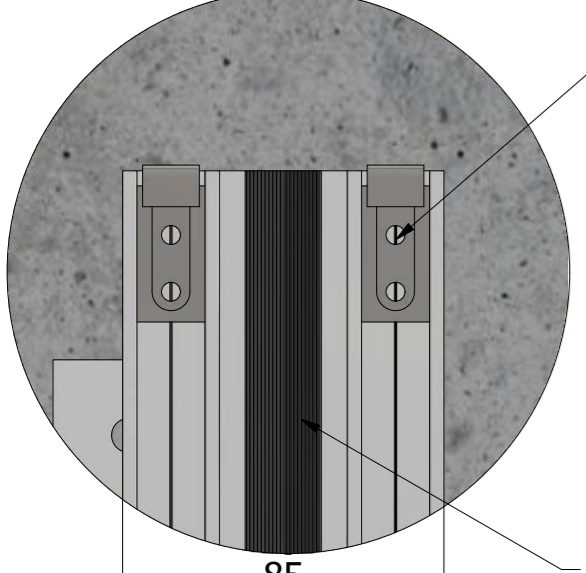


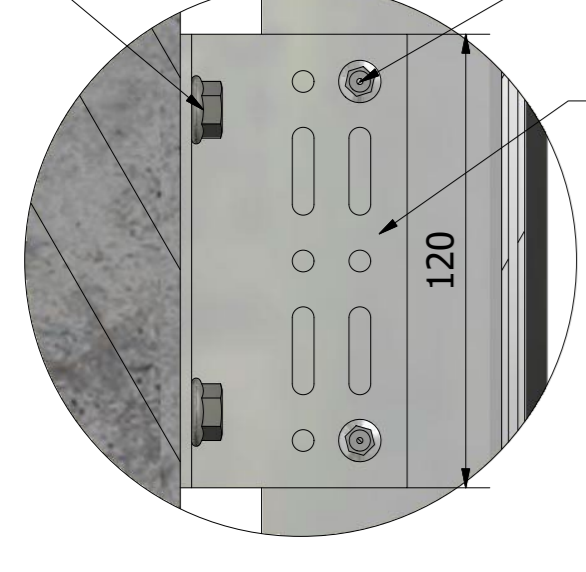
Detail C  
Scale 1 : 2



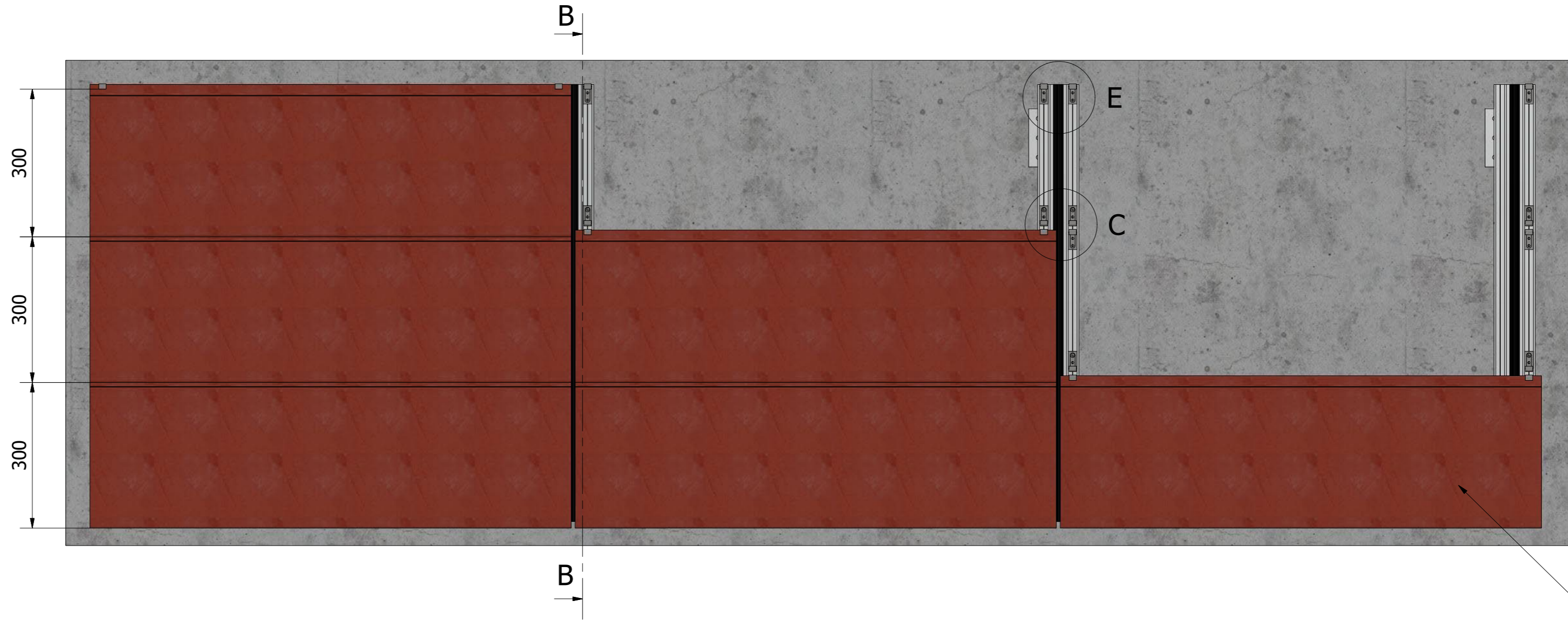
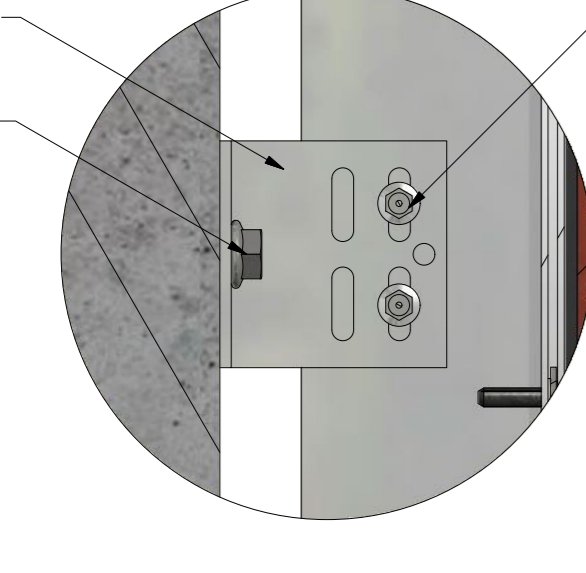
Detail E  
Scale 1 : 2



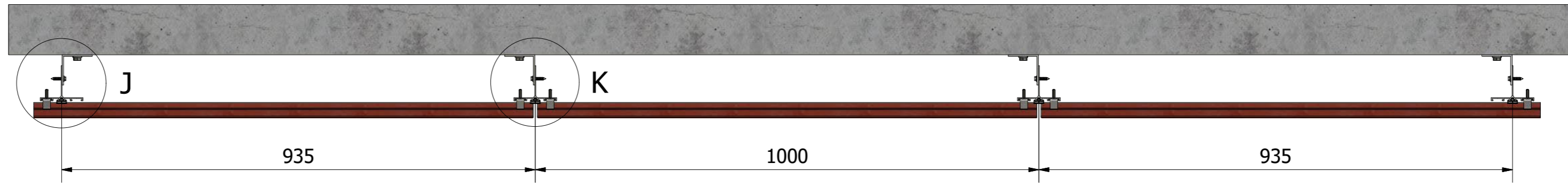
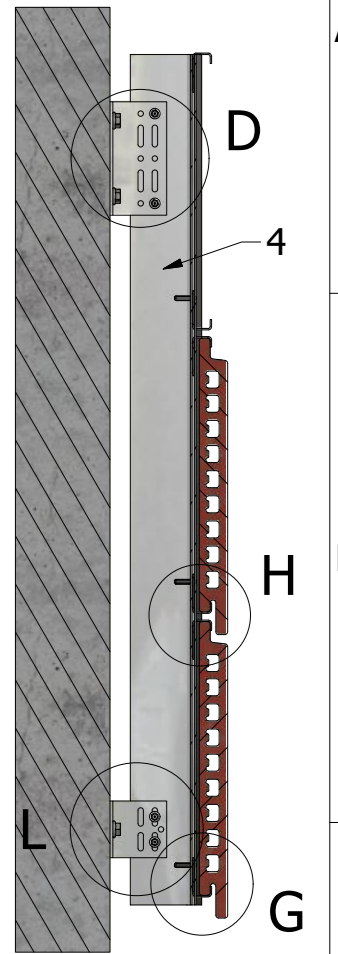
Detail D  
Scale 1 : 2



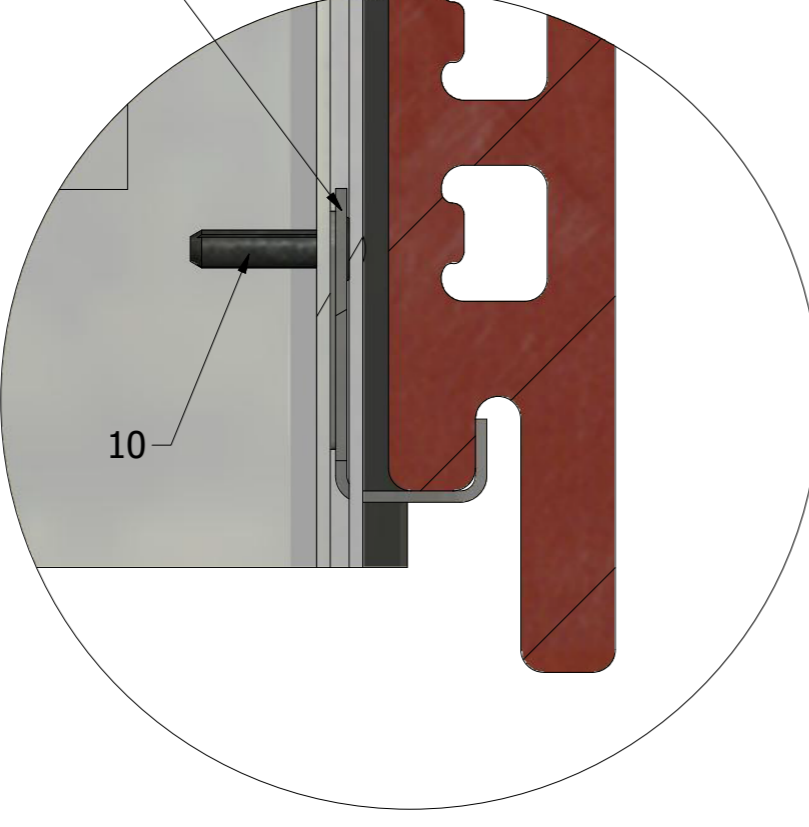
Detail L  
Scale 1 : 2



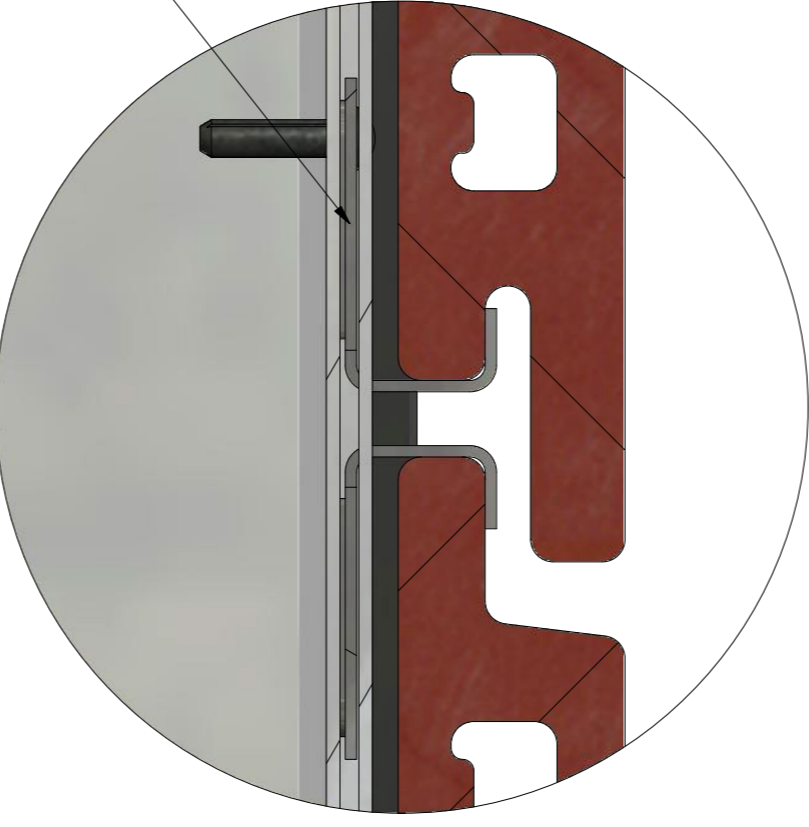
Section B-B  
Scale 1 : 8



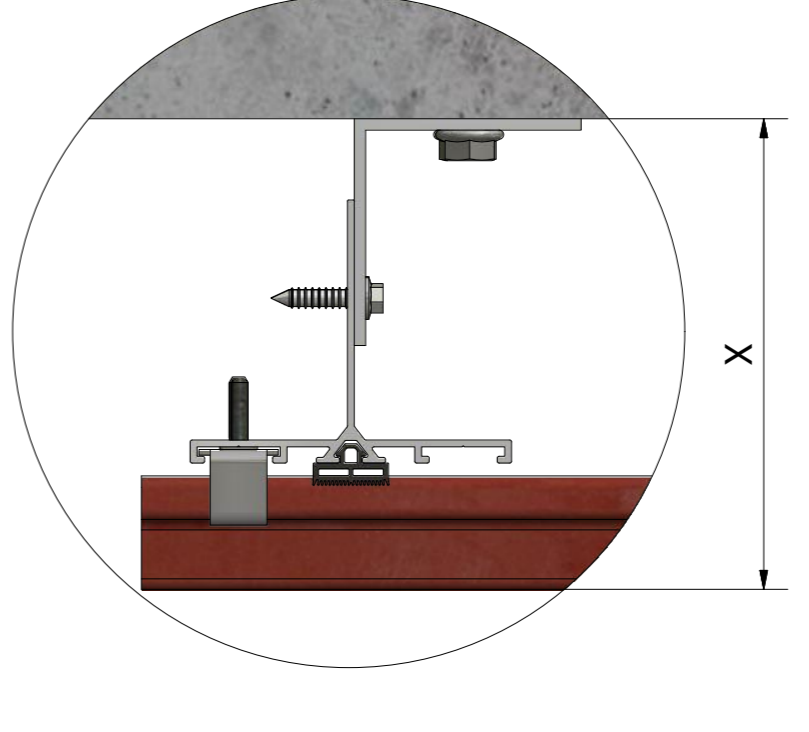
Detail G  
Scale 1 : 1



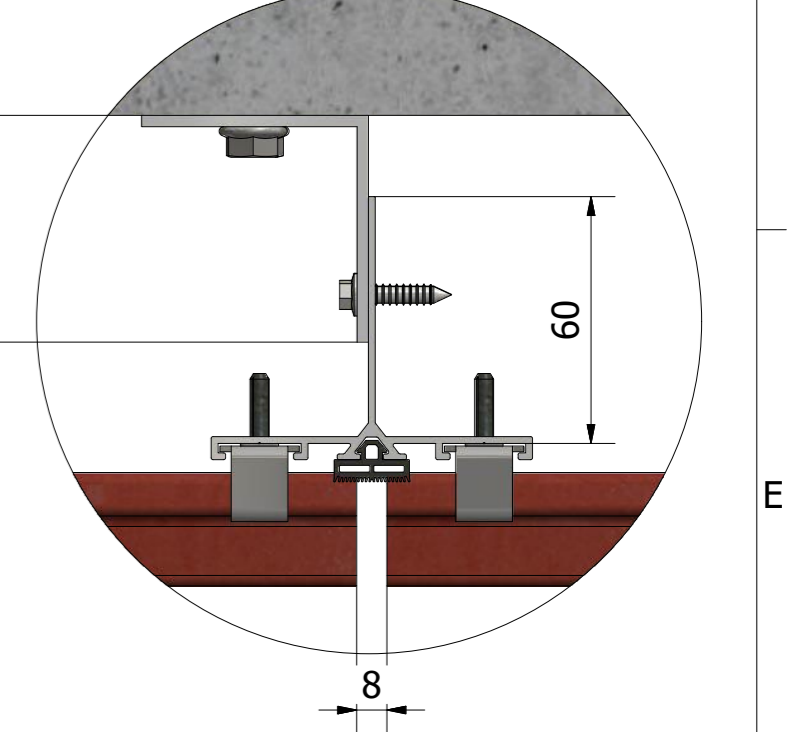
Detail H  
Scale 1 : 1



Detail J  
Scale 1 : 2



Detail K  
Scale 1 : 2



Notes:

- Facade Standard\* Distance:  
L-60: X=100-140mm  
L-100: X=140-180mm  
L-140: X=180-220mm  
\* Smaller or higher distances under request.

- Profiles can be anodized or lacquered under request; color could be selected by customer.  
Vertical profiles are available in different sections.

Elements:

- 1 L Fix Bracket. ALU 6063 T5.
- 2 L Stop Bracket. ALU 6063 T5.
- 3 Cerámic Piece 1000x300mm.
- 4 Vertical FTS Y Profile. Alu 6063 T5.
- 5 FTS Supporting Clip. Stainless Steel.
- 6 Fixed Point. DIN 7504K 5.5x22 SSA2.
- 7 Sliding Point. DIN 7504K 5.5x22 SSA2.
- 8 Stainless Steel Anchor M8x75.
- 9 Polyamide Anchor M10x80.
- 10 Pin. Din 6060 5x20
- 11 EPDM Profile.

Project: FTS 502B-Y GA 30mm	
Plan n: FTS_502B-Y_GA30_01	
Date: 21/04/2015	
Rev: 01	
Scale: 1 : 8	
Format: A2	Measures in mm
Ctra Escatrón, 9 44600 Alcañiz, Teruel (SPAIN) +34 978 830 511 · <a href="http://www.faveker.com">www.faveker.com</a>	